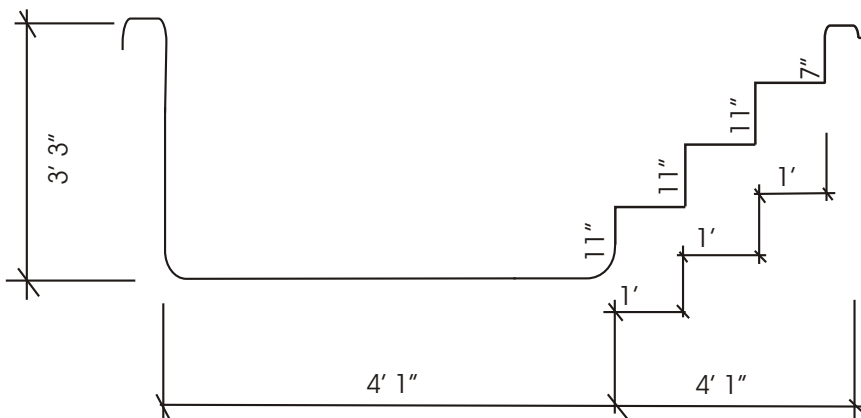


GENERAL NOTES:

- When using a template for set out prior to excavation, mark perimeter line 2" outside plastic edge.
- All measurements for dig depths are from the centreline to the outside of the coping.
- All seat ledges should be cut at least 2' 3" from finished pool height and 6" narrower than shell dimensions.

INSTALLATION CONSIDERATIONS :

- Dig seat depth down 2' 7" from finished height of pool coping x 1' wide.
- Level four corners upon placement.
- Backfill and fill to the foot ledge, pay particular attention to vertical movement of walls whilst backfilling. It is easily pushed in or out with the weight of the materials.



SPECIFICATIONS

LENGTH	WIDTH	D1	D2
9' 6"	9' 3"	3' 3"	3' 3"

LINEAL FEET	VOLUME US GAL	WEIGHT lb
33' 2"	2377	518